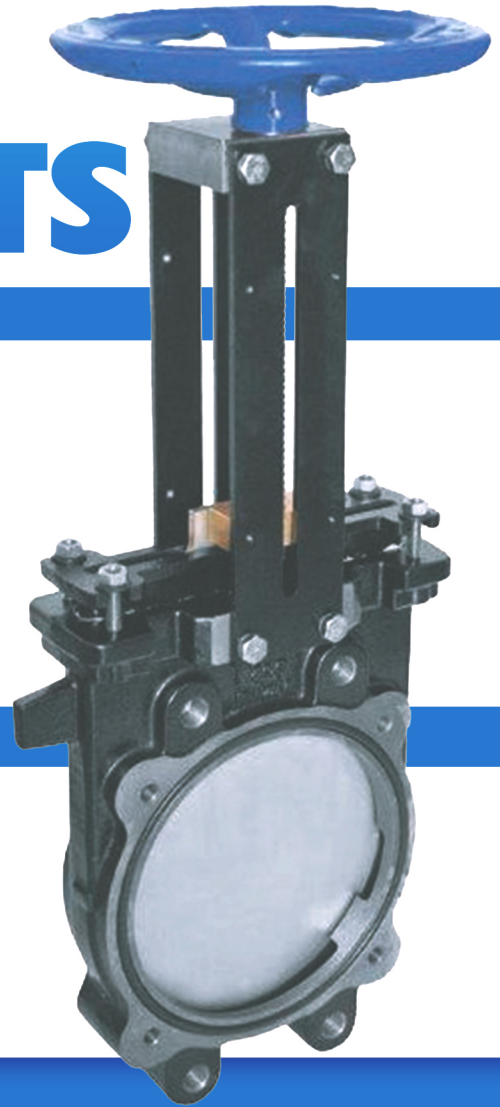
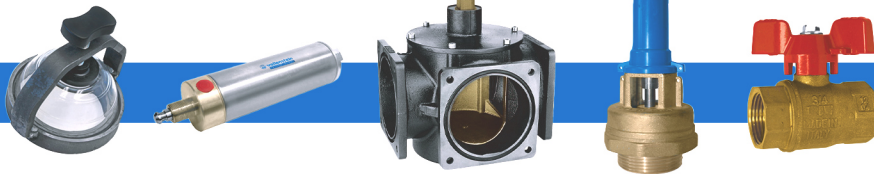


VALVES & COMPONENTS

2023-2024 CATALOGUE

EM

elmira
machine
industries inc.



**VIEW ON
YOUR PHONE**



1.519.669.1541

20 MARTINS LN
ELMIRA, ON, N3B 2A1

wallenstein.com



Elmira Machine Industries has dedicated over 50 years to the development and production of North America's only full line of rotary vane vacuum pumps. Based in Elmira, Ontario, Canada. EMI is a global leader in vacuum technology development. Products include; rotary vane from 15-1000CFM, gas/diesel and electric drive packages, vacuum components including fabricated check valves, safeties, mufflers and a proud master distributor of RIV valves.

Machined to Perfection, High Vacuum Producing, Uncomplicated Design, are a few common phrases used by Wally pump owners around the world. As the product offering grew one thing stayed the same; the drive to produce a simple workhorse to meet the demands of the harshest conditions. That's why we at Elmira Machine say "Simply Better." Simply Better means interchangeable parts between models. Simply Better means only the basics to make big vacuum. If a new Vacuum Pump is on your wish list its time you give Wally a try.

Since 1950 RIV has grown to become a global company exporting to over 70 countries. RIV Valves are made in Italy using the highest quality materials and standards. With a modern fleet of fully automated machines RIV is able to produce over 50,000 pieces a day. Each product is subject to a very strict quality control check to back its history of producing superior products.



1.519.669.1541

20 MARTINS LN
ELMIRA, ON, N3B 2A1

wallenstein.com

TABLE OF CONTENTS

VALVES & COMPONENTS

Stem Valves, Cast Iron	4
Operation / Control for Cast Iron Stem Valves	5
Stem Valves, Brass	6
Operation / Control for Brass Stem Valves	7
Lever Valves	9
Heated Collars	9
Valve Heaters	9
Ball Valves	10
Relief Valves	10
Gauges	11
Swivel Joints	11
Sight to Liquid Level Indicators	12
Tank Safety Components	13
Diverter Valves	14
Diverter Valve Accessories	14
4 Way Valve	15
Flange Plate Gaskets	15

SPARE PARTS

Stem Valve Replacement Parts (Brass)	16
Lever/Stem Valve Accessories	17
Stem Valve Replacement Parts (Cast Iron)	18
Lever Valve Replacement Parts	19
Tank Safety Components Replacement Parts	21

TECHNICAL DATA

Stem Valve (Cast Iron)	22
Stem Valve (Brass)	23
Lever Valve (Brass)	25
Ball Valves	26
Relief Valves	27
Swivel Joints	28
Sight Eyes	29
Tank Safety Components	30
Diverter Valves	31
Actuators	32

STEM VALVES (CAST IRON)



Stem Valve, Cast Iron - FLG x FLG Cast iron stem

valve with stainless steel gate (flange x flange)

PART NO.	SIZE	WEIGHT (LBS)	MAX PSI
TV4FGSV	4"		
TV6FGSV	6"	43.14	145
TV8FGSV	8"	54.38	120
TV10FGSV	10"	116.94	100



Stem Valve, Cast Iron - with Hydraulic

Cast iron stem valve complete with double-acting hydraulic cylinder

PART NO.	SIZE	WEIGHT (LBS)	MAX PSI
TV4SVGHC	4"		
TV6SVGHC	6"	48.82	145
TV8SVGHC	8"	61.31	120
TV10SVGHC	10"	119.21	100
TV12SVGHC	12"		



Stem Valve, Cast Iron - with Air Cylinder

Cast iron stem valve complete with air cylinder

PART NO.	SIZE	WEIGHT (LBS)	MAX PSI
TV4SVGAC	4"		
TV6SVGAC	6"	50.98	145
TV8SVGAC	8"	62.44	120
TV10SVGAC	10"	129.43	100
TV12SVGAC	12"		

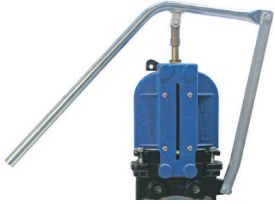


Stem Valve, Cast Iron - with Hand Wheel

Cast iron stem valve complete with hand wheel

PART NO.	SIZE	WEIGHT (LBS)	MIN/MAX PSI
TV4SVGHW	4"		
TV6SVGHW	6"	46.21	145
TV8SVGHW	8"	56.77	120
TV10SVGHW	10"	101.96	100

OPERATION / CONTROL FOR CAST IRON STEM VALVES



Manual Handles

Zinc plated handle for cast iron valves

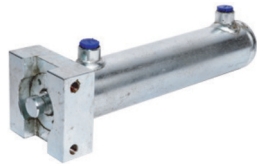
PART NO.	SIZE	WEIGHT (LBS)
TV4FGSVH	4"	
TV6FGSVH	6"	4.75
TV8FGSVH	8"	5.5



Hand Wheel Conversion Kit

Hand wheel conversion kit for cast iron stem valves

PART NO.	SIZE	WEIGHT (LBS)
TV4GHWK	4"	
TV6GHWK	6"	4
TV8GHWK	8"	6
TV10GHWK	10"	8



Hydraulic Cylinders - Double Acting

Double-acting zinc plated hydraulic cylinder for cast iron stem valves

PART NO.	SIZE	WEIGHT (LBS)	MIN/MAX PSI
TV4HCG	4"		
TV6HCG	6"	7.99	1160/2320
TV8HCG	8"	10.15	1450/2320
TV10HCG	10"	17.99	1450/2320
TV12HCG	12"		



Air Cylinders - Double Acting

Double-acting zinc plated pneumatic/air cylinder for cast iron stem valves

PART NO.	SIZE	WEIGHT (LBS)	MIN/MAX PSI
TV4ACG	4"		
TV6ACG	6"	17.44	87/145
TV8ACG	8"	18.72	87/145
TV10ACG	10"	37.24	87/145
TV12ACG	12"		

STEM VALVES (BRASS)



Stem Valve, Brass - NPT x NPT

Brass ANSI (NPT) threaded piston gate valve

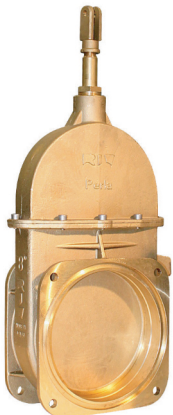
PART NO.	SIZE	WEIGHT (LBS)	MAX PSI
TV4SV	4"	8.38	45
TV6SV	6"	16.6	37



Stem Valve, Brass - FLG x NPT

Brass FLG x NPT threaded piston gate valve

PART NO.	SIZE	WEIGHT (LBS)	MAX PSI
TV4FNSV	4"	8.38	45
TV6FNSV	6"	16.6	37



Stem Valve, Brass - FLG x FLG

Brass two flange piston gate valve with O-ring gaskets

PART NO.	SIZE	WEIGHT (LBS)	MAX PSI
TV4FSV	4"	13.25	45
TV6FSV	6"	17.81	37
TV8FSV	8"	39.55	21

OPERATION / CONTROL FOR BRASS STEM VALVES



Manual Handles

Plated steel handle for brass stem valves

PART NO.	SIZE	WEIGHT (LBS)
TV4SVH	4"	3.25
TV6SVH	6"	4.0
TV8SVH	8"	4.75



Air Cylinder

Air cylinder for 8" brass stem valves

PART NO.	SIZE	WEIGHT (LBS)	MAX PSI
TV4ACB	4"	7.25	250
TV6ACB	6"	7.25	250
TV8ACB	8"	12.18	175

STEM VALVE OPERATION / CONTROL (CONT.)



Hydraulic Cylinder - Spring Return

Single-acting zinc plated ram spring hydraulic cylinder for brass stem valves

PART NO.	SIZE	WEIGHT (LBS)	MIN/MAX PSI
TV4HCSJ	4"	14.51	1595/2465
TV6HCSJ	6"	14.89	1595/2465
TV8HCSJ	8"	15.28	1595/2465



Hydraulic Cylinder - Double Acting

Double-acting zinc plated hydraulic cylinder for brass stem valves

PART NO.	SIZE	WEIGHT (LBS)	MAX PSI
TV4-6HCD	4"	4.86	1160/2465
TV6-6HCD	6"	4.86	1160/2465
TV8HCD	8"	5.75	1740/2465

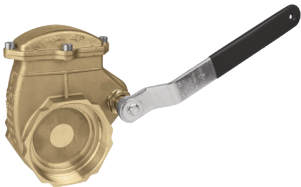


Hydraulic Cylinder - Single Acting

Single-acting hydraulic cylinder for brass stem valves

PART NO.	SIZE	WEIGHT (LBS)	MAX PSI
TV4HC	4"	7.6	1595/2465
TV6HC	6"	8.06	1595/2465
TV8HC	8"	9.53	1885/2465

LEVER VALVES



Lever Valve, Brass - NPT x NPT

Brass ANSI (NPT) threaded lever gate valve

PART NO.	SIZE	WEIGHT (LBS)	MAX PSI
TV1LV	1"	1.59	230
TV1.5LV	1.5"	3.0	230
TV2LV	2"	4.0	230
TV3LV	3"	9.18	145
TV4LV	4"	13.48	145
TV6LV	6"	25.48	116



Lever Valve, Brass - FLG x NPT

Brass flange by ANSI (NPT) threaded lever gate valve

PART NO.	SIZE	WEIGHT (LBS)	MAX PSI
TV4LVF	4"	14.94	58
TV6LVF	6"	36.79	37

HEATED COLLARS



Heated Valve Collars

Stainless steel heated collars

PART NO.	SIZE	WEIGHT (LBS)	DESCRIPTION
TC2HVCTHSS	2"	3.0	NPT FXF
TC3HVCTHSS	3"	4.4	NPT FXF
TC4HVCTHSS	4"	6.6	NPT FXF
TC6HVCTHSS	6"	9.8	NPT MXM

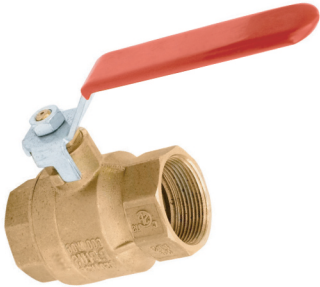


Valve Heater

12 volt block for valves

PART NO.	SIZE	WEIGHT (LBS)
TC3HVB	3"	1.7
TC4HVB	4"	1.8
TC6HVB	6"	2.0

BALL VALVES



Ball Valve - NPT x NPT

Nickel plated brass ball valve F/F full bore NPT threads; 306 SS ball with steel handle

PART NO.	SIZE	WEIGHT (LBS)	MAX PSI
TV.5BVB	0.5"	0.31	580
TV.75BVB	0.75"	0.55	465
TV1BVB	1"	0.86	465
TV1.5BVB	1.5"	1.79	365
TV2BVB	2"	2.98	365
TV3BVB	3"	11.9	235
TV4BVB	4"	18	235



Ball Valve with T-Handle NPT x NPT

Nickel plated brass ball valve F/F full bore NPT threads; 306 SS ball with T-handle

PART NO.	SIZE	WEIGHT (LBS)	MAX PSI
TV.50BVBTH	0.5"	0.55	600
TV.75BVBTH	0.75"	0.88	600

RELIEF VALVES



Pressure Relief Valves

Brass body with plated steel spring with hose connection

PART NO.	SIZE	WEIGHT (LBS)	MIN/MAX PSI
TV150PR	1.5"	2.11	7/21
TV200PR	2"	2.76	7/21



Vacuum Relief Valve

Brass body with plated steel spring with adjustable setting screws

PART NO.	SIZE	WEIGHT (LBS)
TV150VR	1.5"	1.15

GAUGES



Compound Gauges

Liquid filled (glycerine) vacuum / pressure gauge with 1/4" NPT connection, Range Hg/psi 30-0-30

PART NO.	SIZE	WEIGHT (LBS)	DESCRIPTION
TCGL2502	2.5"	0.55	Mount from back
TC-GL1004	2.5"	0.55	Mount from bottom
TCGLP545	4"	1.25	Mount from bottom

SWIVEL JOINTS



Swivel Joints

Cast Iron Swivel Joint

PART NO.	SIZE	WEIGHT (LBS)
TC4SCI	4"	33.9
TC6SCI	6"	43.5
TC8SCI	8"	62.75
TC10SCI	10"	72.5



Swivel Flanges

Cast Iron Swivel Flange

PART NO.	SIZE	WEIGHT (LBS)
TC4SF	4"	6
TC6SF	6"	7.1
TC8SF	8"	10
TC10SF	10"	17



Swivel O-Rings

Cast Iron Swivel Flange O-Ring

PART NO.	SIZE
TC40R207	4"
TC60R233	6"
TC80R244	8"
TC100R250	10"

SIGHT LEVEL INDICATORS



Sight Eyes 2" - Polycarbonate

Polycarbonate sight eye with O-Ring seal and steel threaded coupling

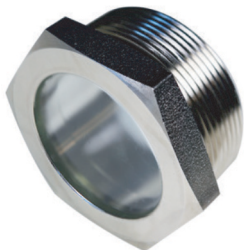
PART NO.	SIZE	WEIGHT (LBS)	DESCRIPTION
TCSE200	2"	1	Sight Eye Complete
TCSEG201	2"	0.5	Lens (includes O-Ring)
TCSE0202	2"		O-Ring
TCSEB203	2"	0.37	Coupling



Sight Eyes 5" - Glass

Heavy duty vacuum tank sight eye weldment with durable glass bowls

PART NO.	SIZE	WEIGHT (LBS)	DESCRIPTION
TCSE450	5"	3.35	Complete Assembly
TCSEB455	5"	2.75	Weldment
TCSEG452	5"	0.45	Glass Bowl
TCSE0453NE	5"	0.1	Gasket
TCSEP451	5"	0.05	Plate
TCSEH454	5"	0.15	Wheel



Sight Eye 2" - Plated Steel

Sight Eye Glass 2" plated steel

PART NO.	SIZE	WEIGHT (LBS)
TCSEG205	2"	1.5



Liquid Level Indicator

Rotary Liquid Level Indicator with stainless steel float ball

PART NO.	SIZE	WEIGHT (LBS)	DESCRIPTION
TCRFLI	6"	10	Complete Assembly
TC6RFBSS	6"	1	Float Ball 6" (5/8" centre hole)

TANK SAFETY COMPONENTS



Primary Check Valves with Sight

Overflow valve with double ball shut-off and sight glass

PART NO.	SIZE	WEIGHT (LBS)	MAX PSI
TV2PPCVS	2"	11.65	45
TV3PPCVS	3"	18.02	45



Primary Check Valves

Overflow valve with double ball shut-off

PART NO.	SIZE	WEIGHT (LBS)	MAX PSI
TV2PPCV	2"	10.24	45
TV3PPCV	3"	16.81	45



Secondary Shut-offs

Polymer secondary shut-off with angled hose-connection and drain valve

PART NO.	SIZE	WEIGHT (LBS)	MAX PSI
TV2SMTP90	2"	10.24	45
TV3SMTP90	3"	12.25	45

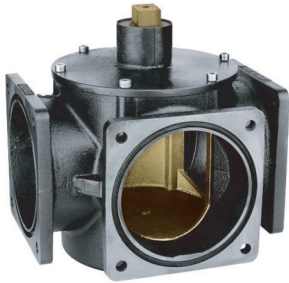


Secondary Shut-offs

Polymer secondary shut-off with straight hose-connection and drain valve

PART NO.	SIZE	WEIGHT (LBS)	MAX PSI
TV2SMTP	2"	9.45	45
TV3SMTP	3"	11.10	45

DIVERTER VALVES



3-Way Diverter Valves

Flanged multi-function 3-way diverter valve

PART NO.	SIZE	WEIGHT (LBS)
TV6FDV3	6"	70.39
TV8FDV3	8"	152.14

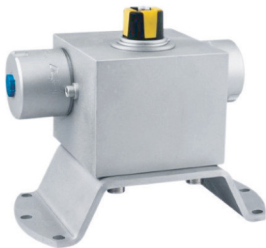
DIVERTER VALVE ACCESSORIES



Lever Handle, Brass

Brass lever handle for 3-way diverter valve

PART NO.	SIZE	WEIGHT (LBS)
TV6HDV3	6"	2.05
TV8HDV3	8"	6.54



Actuators - Hydraulic

Double-acting hydraulic actuator for 3-way diverter valve

PART NO.	SIZE	WEIGHT (LBS)
TV6HYDV3	6"	19.30
TV8HYDV3	8"	19.74



Actuators - Pneumatic

Double-acting pneumatic actuator for 3-way diverter valve

PART NO.	SIZE	WEIGHT (LBS)
TV6ADV3	6"	34.53
TV8ADV3	8"	44.64

DIVERTER VALVE

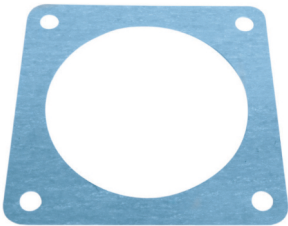


4-Way Valve Assemblies

Valve assembly w/o flanges

PART NO.	SIZE	WEIGHT (LBS)
1500-023	4"	43.5
2100-100	6"	68

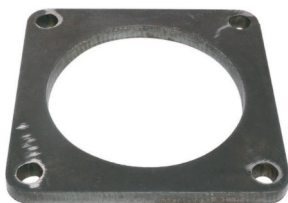
FLANGE PLATE GASKETS



Flange Gaskets

Flange plate gasket

PART NO.	SIZE
1000-157	4"
1000-942	6"



Flange Plates

Flange plate with four holes

PART NO.	SIZE	WEIGHT (LBS)
2000-310	4"	1.25
2000-421	6"	1.35

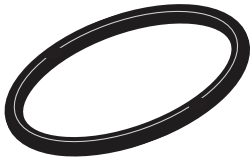


Flange Plates

Flange plate FNTF

PART NO.	SIZE	WEIGHT (LBS)
1000-153	4"	2.75
1000-946	6"	5

STEM VALVE REPLACEMENT PARTS (BRASS)



O-Ring

Nitrile rubber o-ring for angled brass stem valves

PART NO.	SIZE
TV6FSVO	6"
TV8FSVO	8"



Packing

Fibre tow packing for brass stem valves

PART NO.	SIZE
TV6SVP	4"/6"
TV8SVP	8"/10"



Gate

Wedge gate for brass stem valves

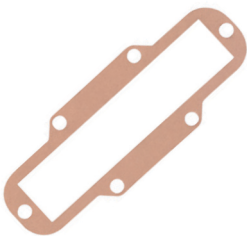
PART NO.	SIZE	WEIGHT (LBS)
TV4SVG	4"	1
TV6SVG	6"	2
TV8SVG	8"	6.25



Stem

Sliding stem for brass stem valves

PART NO.	SIZE	WEIGHT (LBS)
TV4SVS	4"	0.6
TV6SVS	6"	0.8
TV8SVS	8"	1.0



Gasket

Housing gasket for brass stem valves

PART NO.	SIZE
TV4SVHG	4"
TV6SVHG	6"
TV8SVHG	8"

STEM VALVE REPLACEMENT PARTS (CONT.)



Clevis Fork

Clevis fork on stem brass valves - Fits all sizes

PART NO.	SIZE	WEIGHT (LBS)
TV6SVC	6"	0.2
TV8SVC	8"	0.3



Nuts

Stem valve nut for brass stem valves

PART NO.	SIZE	WEIGHT (LBS)
TV4SVN	4"	0.1
TV6SVN	6"	0.1
TV8SVN	8"	0.1



Cap

Stem valve cap for brass stem valves

PART NO.	SIZE
TV6SVTH	6"

LEVER / STEM VALVE FLANGES & ADAPTORS



Flange Plate

Square 4-bolt steel flange plates for RIV brass valves

PART NO.	SIZE
TV4SVFP	4"
TV6SVFP	6"
TV8SVFP	8"



Flange Plate NPT Half Nipple Pipe

Threaded Nipple / Square 4-bolt steel flange plate weldment for RIV brass valves

PART NO.	SIZE	WEIGHT (LBS)
TV4FS4NH	4"	4
TV6FS6NH	6"	4.5
TV8FS8NH	8"	5.5

STEM VALVE REPLACEMENT PARTS (CAST IRON)



O-Ring, for Iron Stem Valve

O-Ring gasket for flange x flange

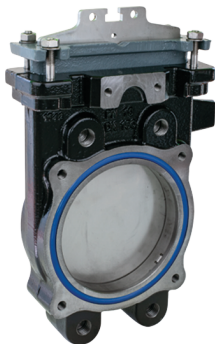
PART NO.	SIZE
TV6FGSVO	6"
TV8FGSVO	8"
TV10FGSVO	10"



Seal, for Cast Iron Stem Valve

Blade Seal kit

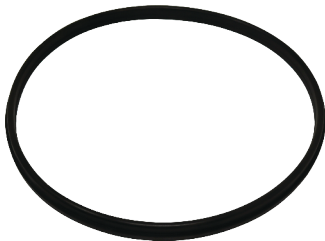
PART NO.	SIZE
TV6FGSVBSK	6"
TV8FGSVBSK	8"
TV10FGSVBSK	10"



Body, for Cast Iron Stem Valve

Cast Body Only (No Gate)

PART NO.	SIZE
TV6FGSVB	6"
TV8FGSVB	8"
TV10FGSVB	10"



Seat, for Cast Iron Stem Valve

Seat for Locking Ring

PART NO.	SIZE
TV6FGSG	6"
TV8FGSG	8"
TV10FGSG	10"

STEM VALVE REPLACEMENT PARTS (CAST IRON)



Locking Ring, for Cast Iron Stem Valve

Locking Ring Tab Style

PART NO.	SIZE
TV6FGLRO	6"
TV8FGLRO	8"
TV10FGLRO	10"



Locking Ring, for Cast Iron Stem Valve

Locking Ring Threaded Style

PART NO.	SIZE
TV6FGLR	6"
TV8FGLR	8"
TV10FGLR	10"



Gate, for Cast Iron Stem Valve

Stainless Steel Sliding Gate

PART NO.	SIZE
TV6SVGG	6"
TV8SVGG	8"
TV10SVGG	10"

LEVER VALVE REPLACEMENT PARTS (BRASS)



Gate

Male & female gates for brass lever valves

PART NO.	SIZE
TV2LVG	2"
TV3LVG	3"
TV4LVG	4"
TV6LVG	6"

LEVER VALVE REPLACEMENT PART (CONT.)



Linkage

Internal linkage for brass levers

PART NO.	SIZE
TV2LVL	2"
TV3LVL	3"
TV4LVL	4"
TV6LVL	6"



Packing

Fibre tow packing for brass lever valves

PART NO.	SIZE
TV2LVP	1.5"
TV2LVP	2"
TV3LVP	3"
TV4LVP	4"/6"



Stem

Brass stem for 2" & 3" and stainless steel stem (4" & 6") for brass lever valves

PART NO.	SIZE
TV2LVS	2"
TV3LVS	3"
TV4LVS	4"/6"



Handle

Steel handle with rubber grip (includes bolt & washer) for brass lever valves

PART NO.	SIZE
TV1LVH	1"
TV1.5LVH	1.5"
TV2LVH	2"
TV346LVHS	3"/4"/6"

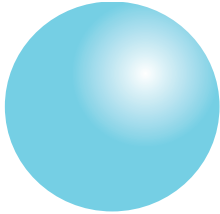


Nut

Stuffing box housing for brass lever valves

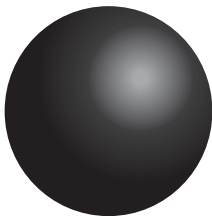
PART NO.	SIZE
TV2LVN	2"
TV3LVN	3"
TV6LVN	4"/6"

TANK SAFETY COMPONENTS REPLACEMENT PARTS



Plastic Float Ball

PART NO.	SIZE
1000-061	2"
1000-065	3"



Rubber Float Ball

PART NO.	SIZE
1000-038	60mm
1000-375	80mm



O-Ring

O-Ring for cup for secondary shut-off valve

PART NO.
TVSMTO



Site Cup

Replacement cup for secondary shut-off valve

PART NO.
TVSMTC



Handle for Site Cup

Replacement handle for secondary shut-off valve

PART NO.
TVSMTH

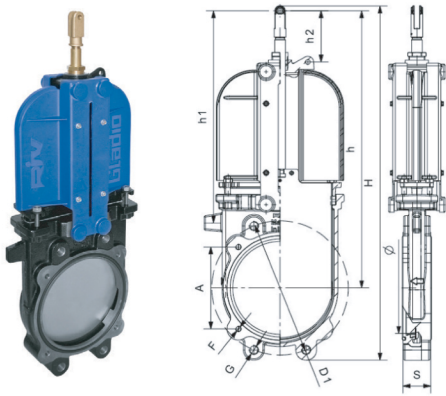


Drain Valve

Replacement drain valve for secondary shut-off valve

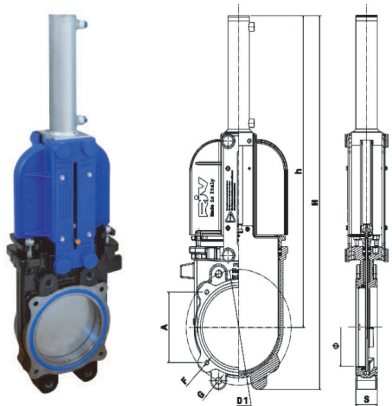
PART NO.	SIZE
TVSMTDV	0.75"

Stem Valve, Cast Iron - with Stainless Steel Gate - FLG x FLG



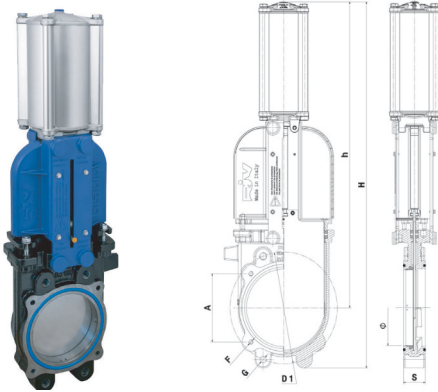
DN	PART NO.	Ø	H	h	S	F	A	D1	G	PN	LBs
6"	TV6FGSV	150	671	525	60	M12	150	241.3	3/4" UNC	10bar - 145psi	43.14
8"	TV8FGSV	200	671	607	60	M12	180	298.4	3/4" UNC	8bar - 120psi	54.39
10"	TV10FGSV	250	941	733	70	—	—	350		7bar - 100psi	116.94

Stem Valve, Cast Iron - with Double-Acting Hydraulic Cylinder



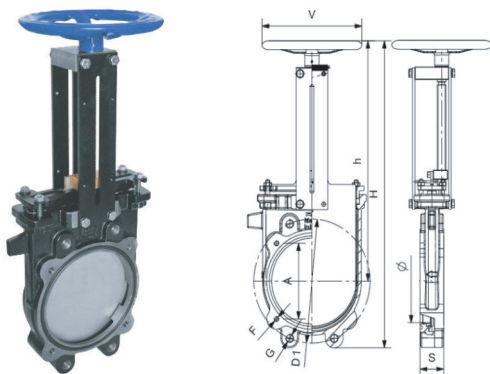
DN	PART NO.	Ø	H	h	S	F	A	D1	G	PN	LBs
6"	TV6SVGHC	150	801	667	60	M12	150	241.3	3/4" UNC	10bar - 145psi	48.82
8"	TV8SVGHC	200	954	795	60	M12	180	298.4	3/4" UNC	8bar - 120psi	61.31
10"	TV10SVGHC	200	1244	1047	70	—	—	350		7bar - 100psi	119.21

Stem Valve, Cast Iron - with Air Cylinder



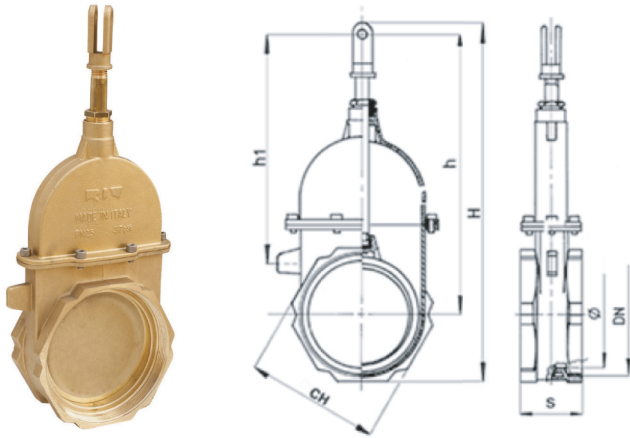
DN	PART NO.	Ø	H	h	S	F	A	D1	G	PN	LBs
6"	TV6SVGAC	150	814	680	60	M12	150	240	M20	10bar - 145psi	60.98
8"	TV8SVGAC	200	967	808	60	M12	180	295	M20	8bar - 120psi	62.44
10"	TV10SVGAC	250	1222	1025	70	—	—	350	M20	7bar - 100psi	129.43

Stem Valve, Cast Iron - with Hand Wheel



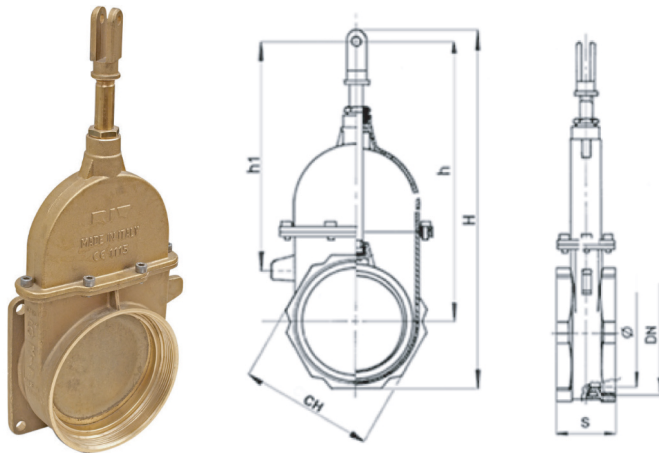
DN	PART NO.	Ø	H	h	S	F	A	D1	G	V	PN	LBs
6"	TV6SVGHC	150	632	498	60	M12	150	241.3	3/4" UNC	250	10bar - 45psi	46.21
8"	TV8SVGHC	200	730	572	60	M12	180	298.4	3/4" UNC	250	8bar - 120psi	56.77
10"	TV10SVGHC	250	878	682	70	—	—	350		300	7bar - 100psi	101.96

Stem Valve, Brass - NPT x NPT



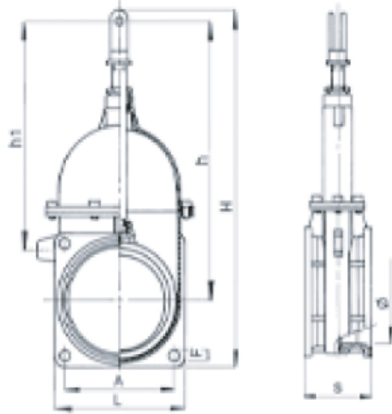
DN	PART NO.	Ø	H	h	h1	S	CH	PN	LBs
4"	TV4SV	91	320	265	220	68	124	3bar - 45psi	8.38
5"	TV6SV	150	632	498	320	82	177	2.5bar - 37psi	16.60

Stem Valve, Brass - FLG x NPT



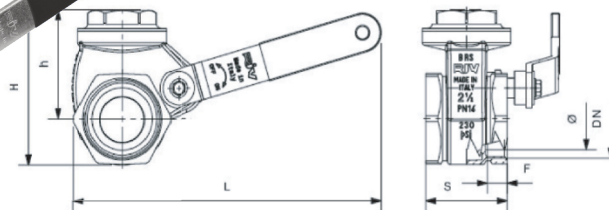
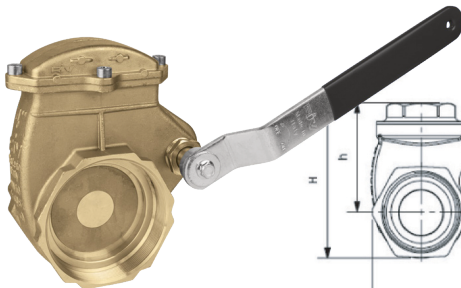
DN	PART NO.	Ø	A	F	H	h	h1	L	S	PN	LBs
6"	TV6FNSV	143	150	13	490	390	320	180	88	2.5bar - 37psi	16.56

Stem Valve, Brass - FLG x FLG



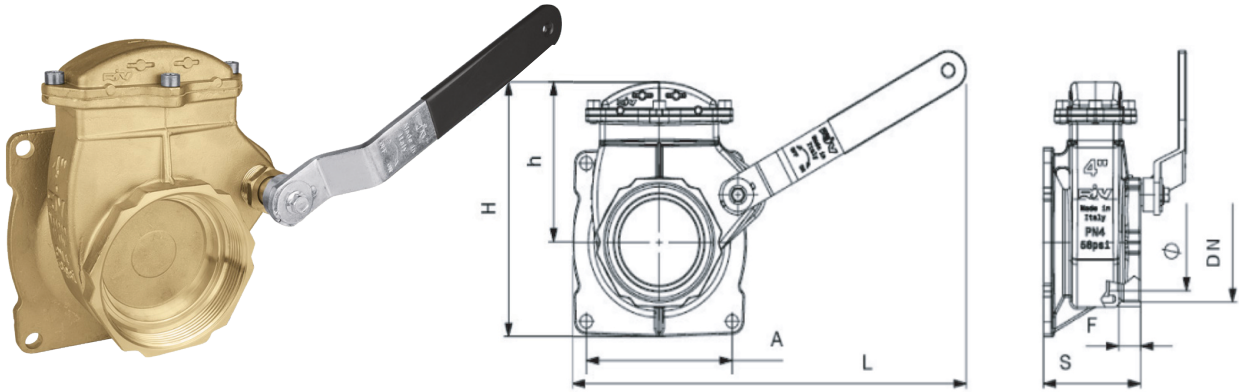
DN	PART NO.	Ø	A	F	H	h	h1	L	S	PN	LBs
4"	TV4FSV	91	150	13	385	290	235	180	97	3bar - 45psi	13.25
6"	TV6FSV	143	150	13	490	390	320	180	90	2.5bar - 37psi	17.81
8"	TV8FSV	191	150	13	610	485	385	230	111	1.5bar - 21psi	39.55

Lever Valve, Brass - NPT x NPT



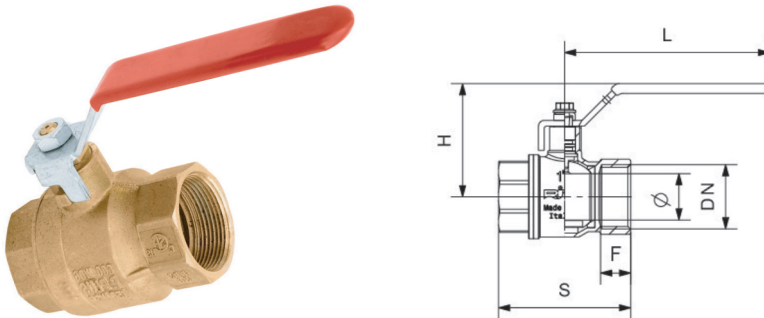
DN	PART NO.	Ø	H	h	S	L	F	PN	LBs
1"	TV1LV	6.0	3.09	2.24	2.25	6.0	.60	16bar - 230psi	1.59
1.5"	TV1.5LV	8.13	3.86	2.71	2.61	8.13	.70	16bar - 230psi	3.0
2"	TV2LV	49	115	54	75	228	20	16bar - 230psi	4.0
3"	TV3LV	70	165	117	86	385	21	10bar - 145psi	9.18
4"	TV4LV	93	212	150	92	415	22	10bar - 145psi	13.48
6"	TV6LV	144	320	230	106	560	24	8bar - 116psi	25.48

Lever Flange, Brass - FLG x NPT



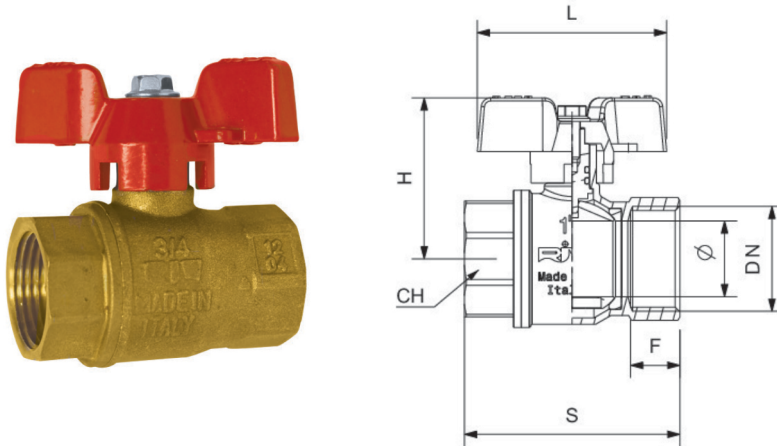
DN	PART NO.	Ø	A	F	H	h	L	S	PN	LBs
4"	TV4LVF	92	150	22	242	152	436	100	4bar - 58psi	14.94
6"	TV6LVF	144	150	24	320	230	520	115	2.5bar - 37psi	26.80

Ball Valves - NPT x NPT



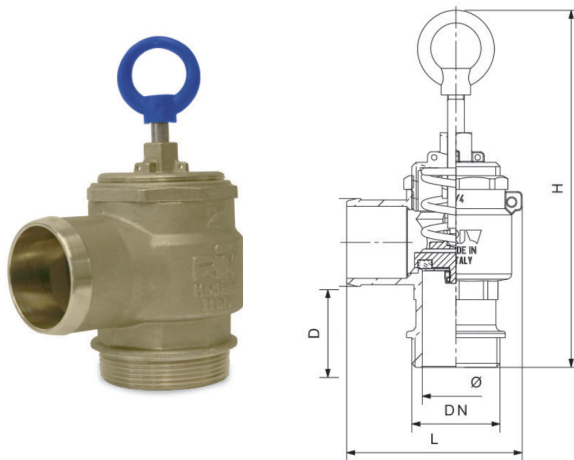
DN	PART NO.	Ø	H	S	L	F	PN	LBs
0.5"	TV.5BVB	14.5	242	152	436	100	40bar - 580psi	0.31
0.75"	TV.75BVB	19	53	57	90	14	32bar - 465psi	0.55
1.00"	TV1BVB	24	58	69	70	16.5	32bar - 465psi	0.86
1.5"	TV1.5BVB	37	81	89	135	19	25bar - 365psi	1.79
2.0"	TV2BVB	47	94	109	160	22.5	25bar - 365psi	2.98
3.0"	TV3BVB	75	142	147	265	25	16bar - 235psi	11.9
4.0"	TV4BVB	94	160	177	265	29	16bar - 235psi	18.0

Ball Valves - with T-Handle NPT x NPT



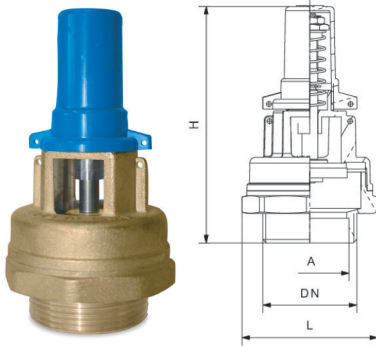
DN	PART NO.	Ø	H	S	L	F	PN	LBs
0.5"	TV.50BVBTH	14.5	41	48	52	13	40bar - 580psi	0.55
0.75"	TV.75BVBTH	19	48	57	60	14	32bar - 465psi	0.88

Pressure Relief Valves



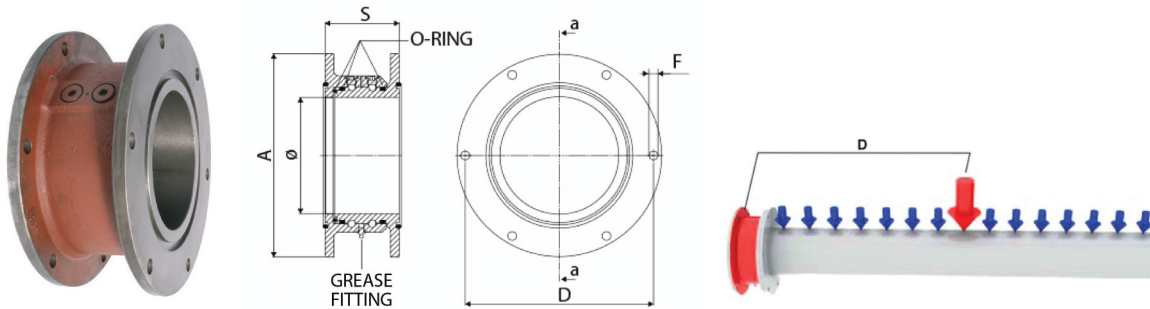
DN	PART NO.	Ø	H	L	D	PN	LBs
1.5"	TV150PR	39	180	100	45	1.5bar - 21psi	2.11
2.0"	TV200PR	50	160	110	51	1.5bar - 21psi	2.76

Vacuum Relief Valve



DN	PART NO.	H	L	A	LBs
1.5"	TV150PR	180	100	45	2.11

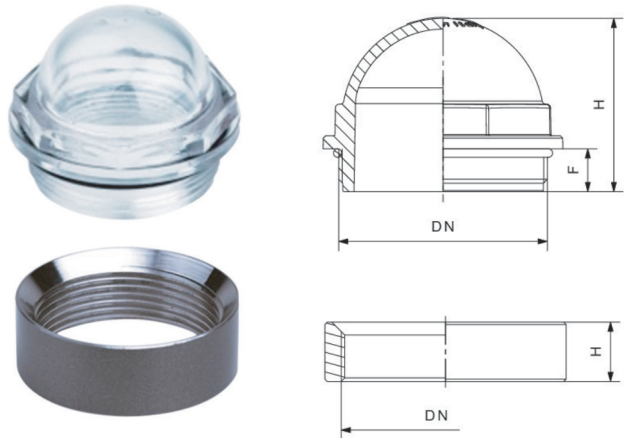
Swivel Joints, Cast Iron



DN	PART NO.	Ø	S	F	A	D	LBs
4"	TC4SCI	100	127	15	250	220	37.55
6"	TC6SCI	150	127	15	290	260	47.23
8"	TC8SCI	200	127	15	350	320	65.53
10"	TC10SCI	250	127	15	410	370	81.57

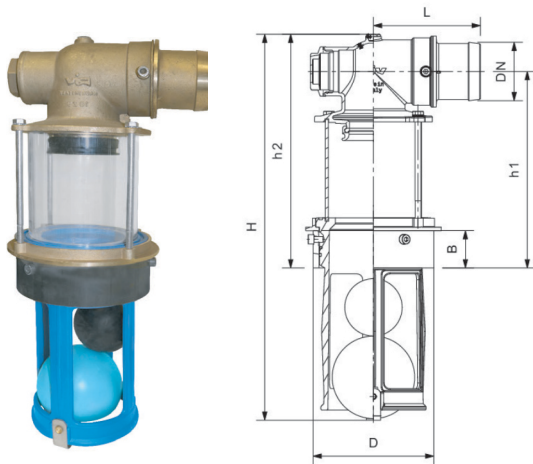
4"		6"		8"		10"	
Distance	Max Load	Distance	Max Load	Distance	Max Load	Distance	Max Load
1.0m	140kg	1.0m	200kg	1.0m	270kg	1.0m	320kg
2.0m	75kg	2.0m	100kg	2.0m	140kg	2.0m	165kg
3.0m	50kg	3.0m	70kg	3.0m	93kg	3.0m	111kg
4.0m	38kg	4.0m	53kg	4.0m	70kg	4.0m	84kg
5.0m	31kg	5.0m	42kg	5.0m	56kg	5.0m	67kg

Sight Eye Assemblies 2" - Polycarbonate



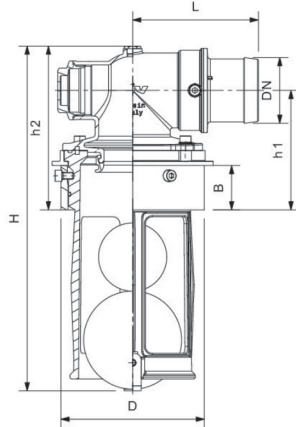
DN	PART NO.	H	F	PN	LBs
2.0"	TCSEG201	58	16	4bar - 60psi	0.15
2.0"	TCSEB203	20	—	—	0.37

Primary Check Valve with Sight



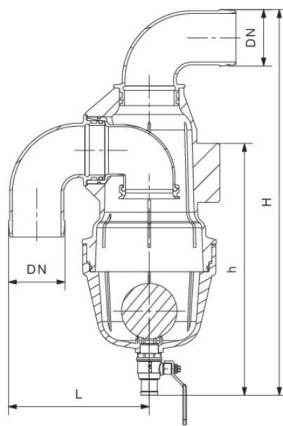
DN	PART NO.	H	L	B	D	h1	h2	PN	LBs
2.0"	TV2PPCVS	458	119	50	133	245	292	3bar - 45psi	11.65
3.0"	TV2PPCVS	540	147	52	168	274	326	3bar - 45psi	18.02

Primary Check Valve



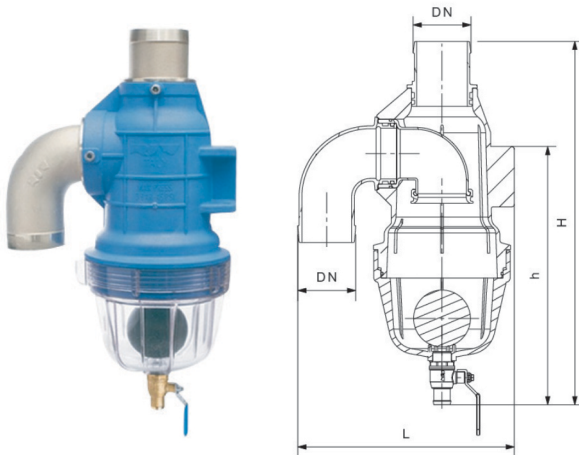
DN	PART NO.	H	L	B	D	h1	h2	PN	LBs
2.0"	TV2PPCV	346	119	50	133	133	180	3bar - 45psi	10.78
3.0"	TV3PPCV	406	147	52	168	140	192	3bar - 45psi	16.81

Secondary Shut-Off



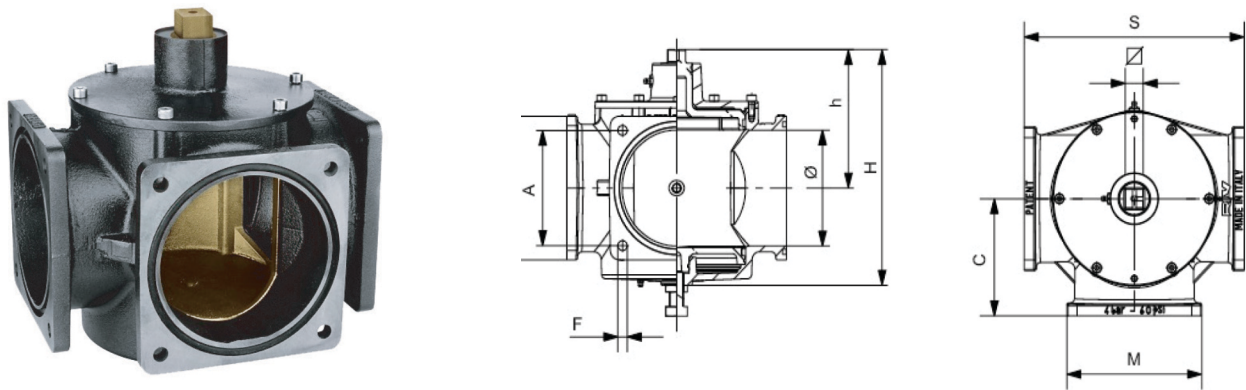
DN	PART NO.	H	h	L	PN	LBs
2.0"	TV2SMTP90	546	380	276	3bar - 45psi	10.24
3.0"	TV3SMTP90	557	380	284	3bar - 45psi	12.25

Secondary Shut-Off



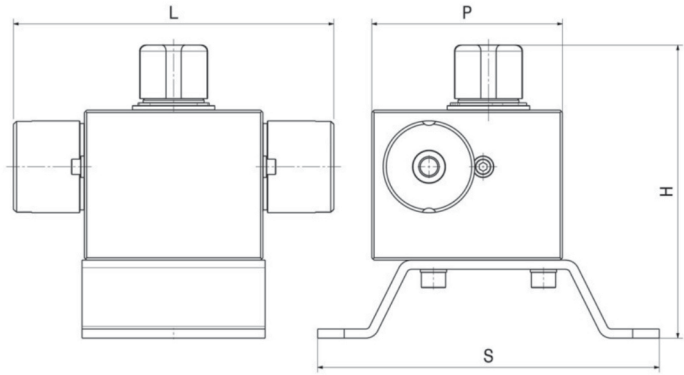
DN	PART NO.	H	h	L	PN	LBs
2.0"	TV2SMTP	525	380	276	3bar - 45psi	9.45
3.0"	TV3SMTP	528	380	300	3bar - 45psi	11.10

3-Way Diverter Valve



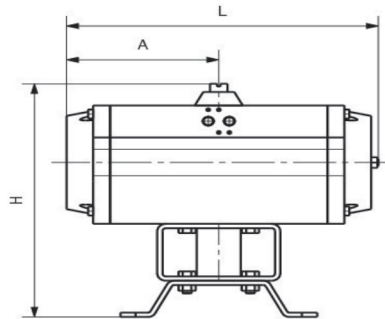
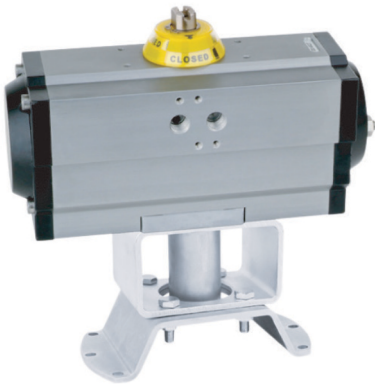
DN	PART NO.	Ø	H	h	S	F	A	C	M	PN	LBs
6"	TV6FDV3	151	307	180	305	13	150	152.5	187	4bar - 58psi	70.39
8"	TV6FDV3	196	420	246	360	13	180	180	231	4bar - 58psi	152.14

Actuators - Hydraulic



DN	PART NO.	H	L	S	P	LBs
6.0"	TV6HYDV3	182	210	224	125	19.30
8.0"	TV8HYDV3	200	210	298	125	19.74

Actuators - Pneumatic



DN	PART NO.	H	L	A	LBs
6.0"	TV6ADV3	330	367	175.5	34.53
8.0"	TV8ADV3	382	380.5	180.5	44.64

EM elmira machine industries inc.

For over 50 years, OEMs, Operators, Contactors and more have relied on Elmira Machine Industries, manufacturer of the Wallenstein Vacuum family of pumps and components. Providing long service life, exceptional value and world class fabrication of specialty metal components.

